



LK115D00 SERIES

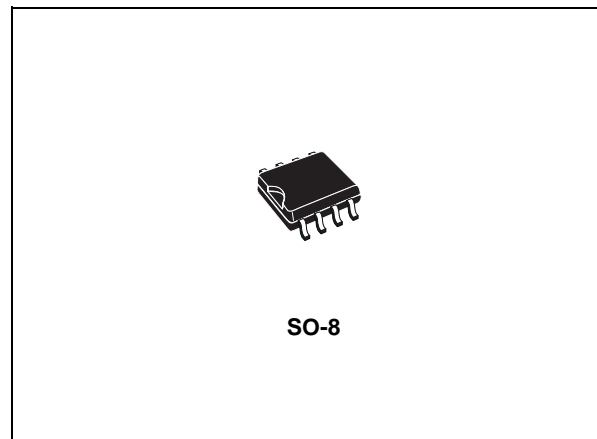
VERY LOW DROP WITH INHIBIT VOLTAGE REGULATORS

- VERY LOW DROPOUT VOLTAGE (0.2 V TYP.)
- VERY LOW QUIESCENT CURRENT (TYP. 0.01 μ A IN OFF MODE, 280 μ A IN ON MODE)
- OUTPUT CURRENT UP TO 100mA
- TWO LOGIC-CONTROLLED ELECTRONIC SHUTDOWNS
- OUTPUT VOLTAGES OF 2; 2.5; 3.0; 3.3; 4; 4.75; 4.85; 5; 5.5 V
- INTERNAL CURRENT AND THERMAL LIMIT
- ONLY 2.2 μ F FOR STABILITY
- V_{OUT} TOLLERANCE $\pm 3\%$ AT 25°C
- SUPPLY VOLTAGE REJECTION: 80dB (TYP)
- TEMPERATURE RANGE: -40°C TO 125°C

DESCRIPTION

The LK115D00 series are very Low Drop regulators available in SO-8 package and in a wide range of output voltages.

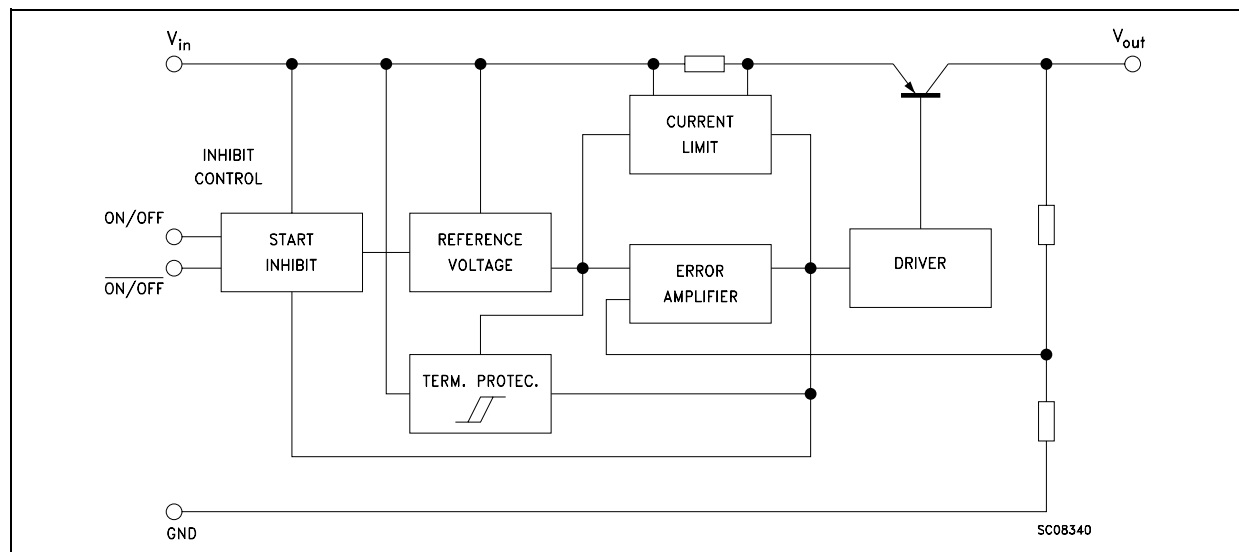
The very Low Drop voltage (0.2V) and the very low quiescent current (0.01 μ A in OFF MODE, 280 μ A in ON MODE) make them particularly



suitable for Low Noise, Low Power applications and specially in battery powered systems.

Both active HIGH and active LOW shutdown Logic Control are available (pin2 and 3). This means that when the device is used as a local regulator, it is possible to put a part of the board in standby, decreasing the total power consumption. It requires only a 2.2 μ F capacitor for stability allowing space and cost saving.

SCHEMATIC DIAGRAM



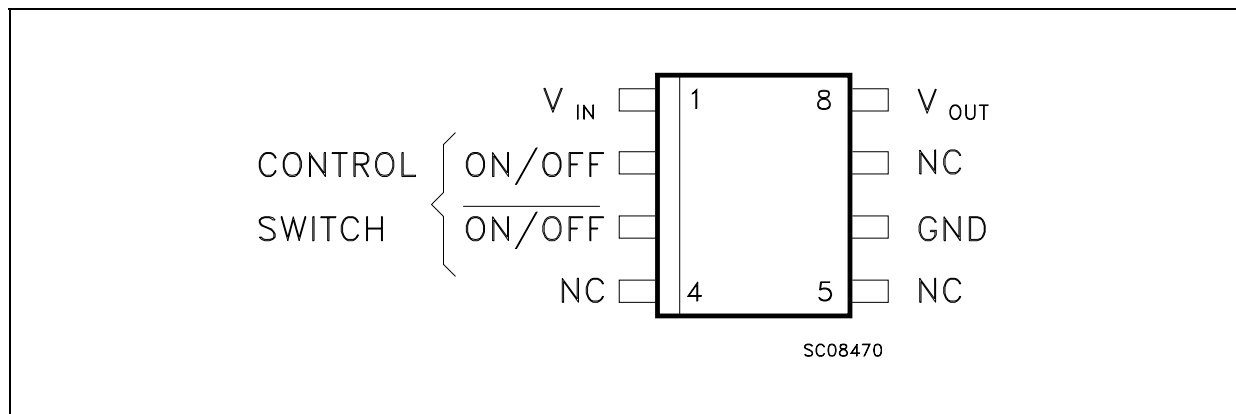
LK115D00 SERIES

ABSOLUTE MAXIMUM RATINGS

Symbol	Parameter	Value	Unit
V_I	DC Input Voltage	20	V
I_O	Output Current	Internally limited	
P_{tot}	Power Dissipation	Internally limited	
T_{stg}	Storage Temperature Range	-40 to 150	°C
T_{op}	Operating Junction Temperature Range	-40 to 125	°C

Absolute Maximum Ratings are those values beyond which damage to the device may occur. Functional operation under these condition is not implied.

CONNECTION DIAGRAM (top view)



ORDERING CODES

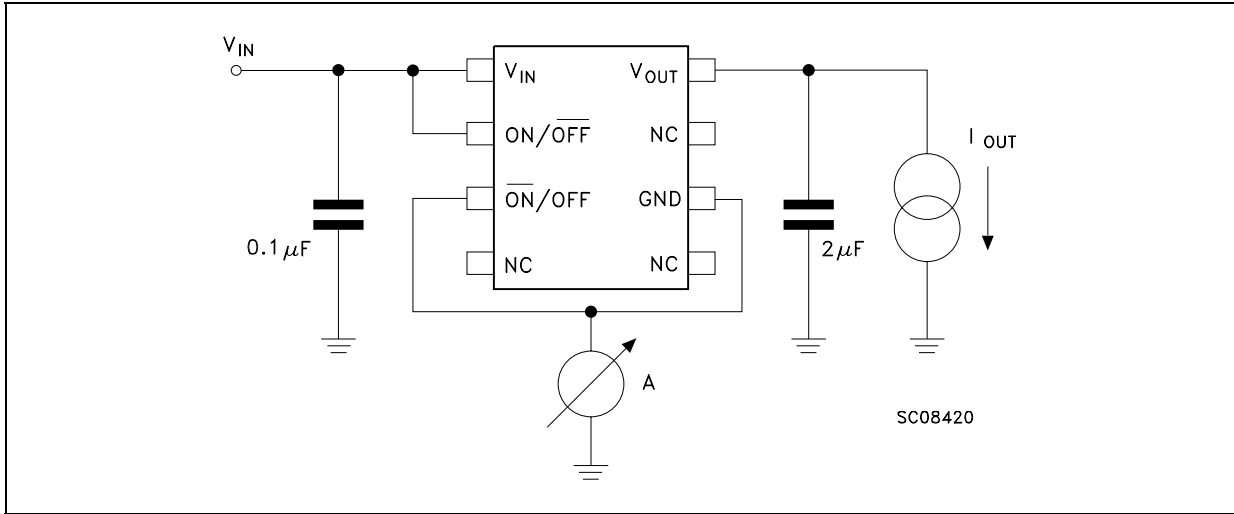
TYPE	OUTPUT VOLTAGE
LK115D20	2 V
LK115D25	2.5 V
LK115D30	3 V
LK115D33	3.3 V
LK115D40	4 V
LK115D47	4.75 V
LK115D48	4.85 V
LK115D50	5 V
LK115D55	5.5 V

TRUTH TABLE

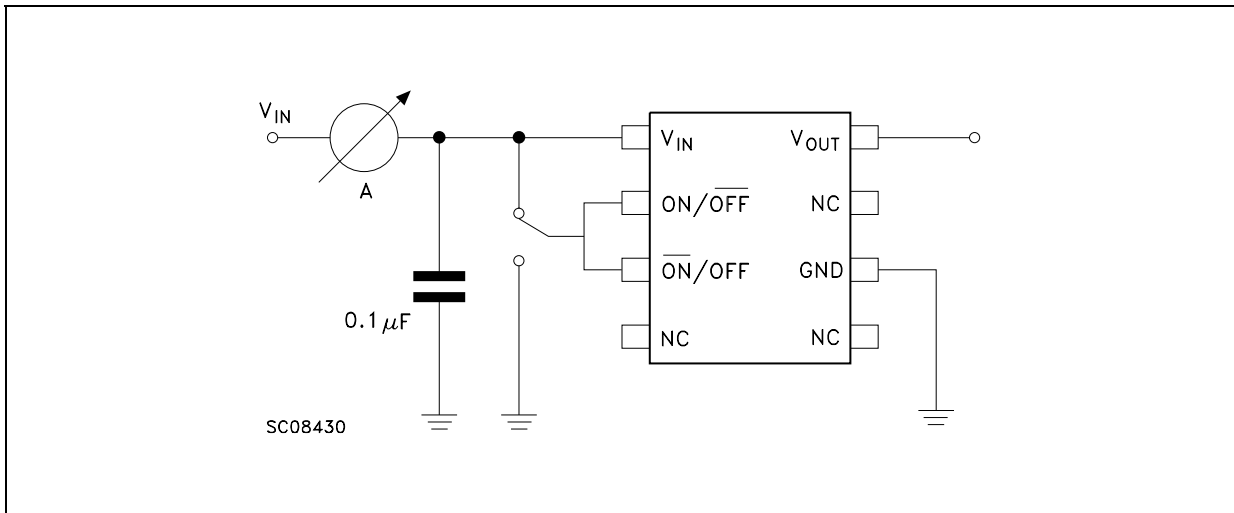
$\overline{\text{ON/OFF}}$ (PIN 2)	$\overline{\text{ON/OFF}}$ (PIN 3)	STATUS
H	L	ON
H	H	OFF
L	L	OFF
L	H	NOT ALLOWED

NOTES: Logic Levels are those defined in the electrical characteristics.

TEST CIRCUITS: Supply Current (ON MODE)



TEST CIRCUITS: Supply Current (OFF MODE)



NOTE: The switch emulates the two possibilities to set the regulator in OFF mode.

LK115D00 SERIES

ELECTRICAL CHARACTERISTICS FOR LK115D20 (refer to the test circuits, $T_J = 25^\circ\text{C}$, $C_I = 0.1\mu\text{F}$, $C_O = 2.2\mu\text{F}$ unless otherwise specified)

Symbol	Parameter	Test Conditions	Min.	Typ.	Max.	Unit
V_O	Output Voltage	$I_O = 10\text{ mA}$, $V_I = 4\text{ V}$	1.940	2	2.060	V
		$I_O = 10\text{ mA}$, $V_I = 4\text{ V}$, $T_a = -40\text{ to }125^\circ\text{C}$	1.9		2.1	
V_I	Operating Input Voltage	$I_O = 100\text{ mA}$			20	V
I_{out}	Output Current Limit		120	200		mA
ΔV_O	Line Regulation	$V_I = 3\text{ to }20\text{ V}$ $I_O = 0.5\text{ mA}$		2	10	mV
ΔV_O	Load Regulation	$V_I = 3\text{ V}$ $I_O = 0.5\text{ to }100\text{ mA}$		4	20	mV
I_d	Quiescent Current (On Mode)	$V_I = 3\text{ to }20\text{ V}$ $I_O = 0$		0.28	0.5	mA
		$V_I = 3\text{ to }20\text{ V}$ $I_O = 100\text{ mA}$		1.5	3	
	(Off Mode)	$V_I = 3\text{ to }20\text{ V}$		0.01	2	μA
SVR	Supply Voltage Rejection	$I_O = 5\text{ mA}$ $V_I = 4\text{ V} \pm 1\text{ V}$	$f = 120\text{ Hz}$	83		dB
			$f = 1\text{ KHz}$	78		
			$f = 10\text{ KHz}$	59		
eN	Output Noise Voltage (RMS)	$B = 10\text{ Hz to }100\text{ KHz}$		44		μV
V_d	Dropout Voltage	$I_O = 60\text{ mA}$		0.17		V
V_{Hic}	ON/OFF Control (pin 2)	Pin 3 to GND OFF	0		0.5	V
		Pin 3 to GND ON	2.4		V_{in}	
V_{Lic}	ON/OFF Control (pin 3)	Pin 2 to V_{in} OFF	$V_{in}-0.2$		V_{in}	V
		Pin 2 to V_{in} ON	0		$V_{in}-2.4$	
C_O	Output Bypass Capacitance	$\text{ESR} = 0.5\text{ to }10\ \Omega$, $I_O = 0\text{ to }100\text{ mA}$	2	10		μF

ELECTRICAL CHARACTERISTICS FOR LK115D25 (refer to the test circuits, $T_J = 25^\circ\text{C}$, $C_I = 0.1\mu\text{F}$, $C_O = 2.2\mu\text{F}$ unless otherwise specified)

Symbol	Parameter	Test Conditions	Min.	Typ.	Max.	Unit
V_O	Output Voltage	$I_O = 10\text{ mA}$, $V_I = 4.5\text{ V}$	2.425	2.5	2.575	V
		$I_O = 10\text{ mA}$, $V_I = 4.5\text{ V}$, $T_a = -40\text{ to }125^\circ\text{C}$	2.375		2.625	
V_I	Operating Input Voltage	$I_O = 100\text{ mA}$			20	V
I_{out}	Output Current Limit		120	200		mA
ΔV_O	Line Regulation	$V_I = 3.5\text{ to }20\text{ V}$ $I_O = 0.5\text{ mA}$		2	10	mV
ΔV_O	Load Regulation	$V_I = 3.5\text{ V}$ $I_O = 0.5\text{ to }100\text{ mA}$		4	20	mV
I_d	Quiescent Current (On Mode)	$V_I = 3.5\text{ to }20\text{ V}$ $I_O = 0$		0.28	0.5	mA
		$V_I = 3.5\text{ to }20\text{ V}$ $I_O = 100\text{ mA}$		1.5	3	
	(Off Mode)	$V_I = 3.5\text{ to }20\text{ V}$		0.01	2	μA
SVR	Supply Voltage Rejection	$I_O = 5\text{ mA}$ $V_I = 4.5\text{ V} \pm 1\text{ V}$	$f = 120\text{ Hz}$	81		dB
			$f = 1\text{ KHz}$	76		
			$f = 10\text{ KHz}$	58		
eN	Output Noise Voltage (RMS)	$B = 10\text{ Hz to }100\text{ KHz}$		55		μV
V_d	Dropout Voltage	$I_O = 60\text{ mA}$		0.17		V
V_{Hic}	ON/OFF Control (pin 2)	Pin 3 to GND OFF	0		0.5	V
		Pin 3 to GND ON	2.4		V_{in}	
V_{Lic}	ON/OFF Control (pin 3)	Pin 2 to V_{in} OFF	$V_{in}-0.2$		V_{in}	V
		Pin 2 to V_{in} ON	0		$V_{in}-2.4$	
C_O	Output Bypass Capacitance	$\text{ESR} = 0.5\text{ to }10\ \Omega$, $I_O = 0\text{ to }100\text{ mA}$	2	10		μF

ELECTRICAL CHARACTERISTICS FOR LK115D30 (refer to the test circuits, $T_J = 25^\circ\text{C}$, $C_I = 0.1\mu\text{F}$, $C_O = 2.2\mu\text{F}$ unless otherwise specified)

Symbol	Parameter	Test Conditions	Min.	Typ.	Max.	Unit
V_O	Output Voltage	$I_O = 10\text{ mA}$, $V_I = 5\text{ V}$	2.910	3	3.090	V
		$I_O = 10\text{ mA}$, $V_I = 5\text{ V}$, $T_a = -40\text{ to }125^\circ\text{C}$	2.850		3.150	
V_I	Operating Input Voltage	$I_O = 100\text{ mA}$			20	V
I_{out}	Output Current Limit		120	200		mA
ΔV_O	Line Regulation	$V_I = 4\text{ to }20\text{ V}$ $I_O = 0.5\text{ mA}$		2	10	mV
ΔV_O	Load Regulation	$V_I = 4\text{ V}$ $I_O = 0.5\text{ to }100\text{ mA}$		4	20	mV
I_d	Quiescent Current (On Mode)	$V_I = 4\text{ to }20\text{ V}$ $I_O = 0$		0.28	0.5	mA
		$V_I = 4\text{ to }20\text{ V}$ $I_O = 100\text{ mA}$		1.5	3	
	(Off Mode)	$V_I = 4\text{ to }20\text{ V}$		0.01	2	μA
SVR	Supply Voltage Rejection	$I_O = 5\text{ mA}$ $V_I = 5\text{ V} \pm 1\text{ V}$	$f = 120\text{ Hz}$	79		dB
			$f = 1\text{ KHz}$	74		
			$f = 10\text{ KHz}$	57		
eN	Output Noise Voltage (RMS)	$B = 10\text{ Hz to }100\text{ KHz}$		66		μV
V_d	Dropout Voltage	$I_O = 60\text{ mA}$		0.17		V
V_{Hic}	ON/OFF Control (pin 2)	Pin 3 to GND OFF	0		0.5	V
		Pin 3 to GND ON	2.4		V_{in}	
V_{Llc}	ON/OFF Control (pin 3)	Pin 2 to V_{in} OFF	$V_{in}-0.2$		V_{in}	V
		Pin 2 to V_{in} ON	0		$V_{in}-2.4$	
C_O	Output Bypass Capacitance	$\text{ESR} = 0.5\text{ to }10\ \Omega$, $I_O = 0\text{ to }100\text{ mA}$	2	10		μF

ELECTRICAL CHARACTERISTICS FOR LK115D33 (refer to the test circuits, $T_J = 25^\circ\text{C}$, $C_I = 0.1\mu\text{F}$, $C_O = 2.2\mu\text{F}$ unless otherwise specified)

Symbol	Parameter	Test Conditions	Min.	Typ.	Max.	Unit
V_O	Output Voltage	$I_O = 10\text{ mA}$, $V_I = 5.3\text{ V}$	3.2	3.3	3.4	V
		$I_O = 10\text{ mA}$, $V_I = 5.3\text{ V}$, $T_a = -40\text{ to }125^\circ\text{C}$	3.135		3.465	
V_I	Operating Input Voltage	$I_O = 100\text{ mA}$			20	V
I_{out}	Output Current Limit		120	200		mA
ΔV_O	Line Regulation	$V_I = 4.3\text{ to }20\text{ V}$ $I_O = 0.5\text{ mA}$		2	10	mV
ΔV_O	Load Regulation	$V_I = 4.3\text{ V}$ $I_O = 0.5\text{ to }100\text{ mA}$		4	20	mV
I_d	Quiescent Current (On Mode)	$V_I = 4.3\text{ to }20\text{ V}$ $I_O = 0$		0.28	0.5	mA
		$V_I = 4.3\text{ to }20\text{ V}$ $I_O = 100\text{ mA}$		1.5	3	
	(Off Mode)	$V_I = 4.3\text{ to }20\text{ V}$		0.01	2	μA
SVR	Supply Voltage Rejection	$I_O = 5\text{ mA}$ $V_I = 5.3\text{ V} \pm 1\text{ V}$	$f = 120\text{ Hz}$	79		dB
			$f = 1\text{ KHz}$	74		
			$f = 10\text{ KHz}$	57		
eN	Output Noise Voltage (RMS)	$B = 10\text{ Hz to }100\text{ KHz}$		72.6		μV
V_d	Dropout Voltage	$I_O = 60\text{ mA}$		0.17		V
V_{Hic}	ON/OFF Control (pin 2)	Pin 3 to GND OFF	0		0.5	V
		Pin 3 to GND ON	2.4		V_{in}	
V_{Llc}	ON/OFF Control (pin 3)	Pin 2 to V_{in} OFF	$V_{in}-0.2$		V_{in}	V
		Pin 2 to V_{in} ON	0		$V_{in}-2.4$	
C_O	Output Bypass Capacitance	$\text{ESR} = 0.5\text{ to }10\ \Omega$, $I_O = 0\text{ to }100\text{ mA}$	2	10		μF

LK115D00 SERIES

ELECTRICAL CHARACTERISTICS FOR LK115D40 (refer to the test circuits, $T_J = 25^\circ\text{C}$, $C_I = 0.1\mu\text{F}$, $C_O = 2.2\mu\text{F}$ unless otherwise specified)

Symbol	Parameter	Test Conditions	Min.	Typ.	Max.	Unit
V_O	Output Voltage	$I_O = 10\text{ mA}$, $V_I = 6\text{ V}$	3.880	4	4.120	V
		$I_O = 10\text{ mA}$, $V_I = 6\text{ V}$, $T_a = -40\text{ to }125^\circ\text{C}$	3.8		4.2	
V_I	Operating Input Voltage	$I_O = 100\text{ mA}$			20	V
I_{out}	Output Current Limit		120	200		mA
ΔV_O	Line Regulation	$V_I = 5\text{ to }20\text{ V}$ $I_O = 0.5\text{ mA}$		3	15	mV
ΔV_O	Load Regulation	$V_I = 5\text{ V}$ $I_O = 0.5\text{ to }100\text{ mA}$		4	20	mV
I_d	Quiescent Current (On Mode)	$V_I = 5\text{ to }20\text{ V}$ $I_O = 0$		0.28	0.5	mA
		$V_I = 5\text{ to }20\text{ V}$ $I_O = 100\text{ mA}$		1.5	3	
	(Off Mode)	$V_I = 5\text{ to }20\text{ V}$		0.01	2	μA
SVR	Supply Voltage Rejection	$I_O = 5\text{ mA}$ $V_I = 5\text{ V} \pm 1\text{ V}$	$f = 120\text{ Hz}$	77		dB
			$f = 1\text{ KHz}$	72		
			$f = 10\text{ KHz}$	56		
eN	Output Noise Voltage (RMS)	$B = 10\text{ Hz to }100\text{ KHz}$		88		μV
V_d	Dropout Voltage	$I_O = 60\text{ mA}$		0.17		V
V_{Hic}	ON/OFF Control (pin 2)	Pin 3 to GND OFF	0		0.5	V
		Pin 3 to GND ON	2.4		V_{in}	
V_{Llc}	ON/OFF Control (pin 3)	Pin 2 to V_{in} OFF	$V_{in}-0.2$		V_{in}	V
		Pin 2 to V_{in} ON	0		$V_{in}-2.4$	
C_O	Output Bypass Capacitance	$\text{ESR} = 0.5\text{ to }10\ \Omega$, $I_O = 0\text{ to }100\text{ mA}$	2	10		μF

ELECTRICAL CHARACTERISTICS FOR LK115D47 (refer to the test circuits, $T_J = 25^\circ\text{C}$, $C_I = 0.1\mu\text{F}$, $C_O = 2.2\mu\text{F}$ unless otherwise specified)

Symbol	Parameter	Test Conditions	Min.	Typ.	Max.	Unit
V_O	Output Voltage	$I_O = 10\text{ mA}$, $V_I = 6.8\text{ V}$	4.607	4.75	4.892	V
		$I_O = 10\text{ mA}$, $V_I = 6.8\text{ V}$, $T_a = -40\text{ to }125^\circ\text{C}$	4.513		4.987	
V_I	Operating Input Voltage	$I_O = 100\text{ mA}$			20	V
I_{out}	Output Current Limit		120	200		mA
ΔV_O	Line Regulation	$V_I = 5.8\text{ to }20\text{ V}$ $I_O = 0.5\text{ mA}$		3	15	mV
ΔV_O	Load Regulation	$V_I = 5.8\text{ V}$ $I_O = 0.5\text{ to }100\text{ mA}$		4	20	mV
I_d	Quiescent Current (On Mode)	$V_I = 5.8\text{ to }20\text{ V}$ $I_O = 0$		0.28	0.5	mA
		$V_I = 5.8\text{ to }20\text{ V}$ $I_O = 100\text{ mA}$		1.5	3	
	(Off Mode)	$V_I = 5.8\text{ to }20\text{ V}$		0.01	2	μA
SVR	Supply Voltage Rejection	$I_O = 5\text{ mA}$ $V_I = 6.8\text{ V} \pm 1\text{ V}$	$f = 120\text{ Hz}$	75		dB
			$f = 1\text{ KHz}$	70		
			$f = 10\text{ KHz}$	55		
eN	Output Noise Voltage (RMS)	$B = 10\text{ Hz to }100\text{ KHz}$		104.5		μV
V_d	Dropout Voltage	$I_O = 60\text{ mA}$		0.17		V
V_{Hic}	ON/OFF Control (pin 2)	Pin 3 to GND OFF	0		0.5	V
		Pin 3 to GND ON	2.4		V_{in}	
V_{Llc}	ON/OFF Control (pin 3)	Pin 2 to V_{in} OFF	$V_{in}-0.2$		V_{in}	V
		Pin 2 to V_{in} ON	0		$V_{in}-2.4$	
C_O	Output Bypass Capacitance	$\text{ESR} = 0.5\text{ to }10\ \Omega$, $I_O = 0\text{ to }100\text{ mA}$	2	10		μF

ELECTRICAL CHARACTERISTICS FOR LK115D48 (refer to the test circuits, $T_J = 25^\circ\text{C}$, $C_I = 0.1\mu\text{F}$, $C_O = 2.2\mu\text{F}$ unless otherwise specified)

Symbol	Parameter	Test Conditions	Min.	Typ.	Max.	Unit
V_O	Output Voltage	$I_O = 10\text{ mA}$, $V_I = 6.9\text{ V}$	4.705	4.85	4.966	V
		$I_O = 10\text{ mA}$, $V_I = 6.9\text{ V}$, $T_a = -40\text{ to }125^\circ\text{C}$	4.607		5.093	
V_I	Operating Input Voltage	$I_O = 100\text{ mA}$			20	V
I_{out}	Output Current Limit		120	200		mA
ΔV_O	Line Regulation	$V_I = 5.9\text{ to }20\text{ V}$ $I_O = 0.5\text{ mA}$		3	15	mV
ΔV_O	Load Regulation	$V_I = 5.9\text{ V}$ $I_O = 0.5\text{ to }100\text{ mA}$		4	20	mV
I_d	Quiescent Current (On Mode)	$V_I = 5.9\text{ to }20\text{ V}$ $I_O = 0$		0.28	0.5	mA
		$V_I = 5.9\text{ to }20\text{ V}$ $I_O = 100\text{ mA}$		1.5	3	
	(Off Mode)	$V_I = 5.9\text{ to }20\text{ V}$		0.01	2	μA
SVR	Supply Voltage Rejection	$I_O = 5\text{ mA}$ $V_I = 6.9\text{ V} \pm 1\text{ V}$	$f = 120\text{ Hz}$	75		dB
			$f = 1\text{ KHz}$	70		
			$f = 10\text{ KHz}$	55		
eN	Output Noise Voltage (RMS)	$B = 10\text{ Hz to }100\text{ KHz}$		106.7		μV
V_d	Dropout Voltage	$I_O = 60\text{ mA}$		0.17		V
V_{Hic}	ON/OFF Control (pin 2)	Pin 3 to GND OFF	0		0.5	V
		Pin 3 to GND ON	2.4		V_{in}	
V_{Lic}	ON/OFF Control (pin 3)	Pin 2 to V_{in} OFF	$V_{in}-0.2$		V_{in}	V
		Pin 2 to V_{in} ON	0		$V_{in}-2.4$	
C_O	Output Bypass Capacitance	$\text{ESR} = 0.5\text{ to }10\ \Omega$, $I_O = 0\text{ to }100\text{ mA}$	2	10		μF

ELECTRICAL CHARACTERISTICS FOR LK115D50 (refer to the test circuits, $T_J = 25^\circ\text{C}$, $C_I = 0.1\mu\text{F}$, $C_O = 2.2\mu\text{F}$ unless otherwise specified)

Symbol	Parameter	Test Conditions	Min.	Typ.	Max.	Unit
V_O	Output Voltage	$I_O = 10\text{ mA}$, $V_I = 7\text{ V}$	4.85	5	5.15	V
		$I_O = 10\text{ mA}$, $V_I = 7\text{ V}$, $T_a = -40\text{ to }125^\circ\text{C}$	4.75		5.25	
V_I	Operating Input Voltage	$I_O = 100\text{ mA}$			20	V
I_{out}	Output Current Limit		120	200		mA
ΔV_O	Line Regulation	$V_I = 6\text{ to }20\text{ V}$ $I_O = 0.5\text{ mA}$		3	15	mV
ΔV_O	Load Regulation	$V_I = 6\text{ V}$ $I_O = 0.5\text{ to }100\text{ mA}$		4	20	mV
I_d	Quiescent Current (On Mode)	$V_I = 6\text{ to }20\text{ V}$ $I_O = 0$		0.28	0.5	mA
		$V_I = 6\text{ to }20\text{ V}$ $I_O = 100\text{ mA}$		1.5	3	
	(Off Mode)	$V_I = 6\text{ to }20\text{ V}$		0.01	2	μA
SVR	Supply Voltage Rejection	$I_O = 5\text{ mA}$ $V_I = 7\text{ V} \pm 1\text{ V}$	$f = 120\text{ Hz}$	75		dB
			$f = 1\text{ KHz}$	70		
			$f = 10\text{ KHz}$	55		
eN	Output Noise Voltage (RMS)	$B = 10\text{ Hz to }100\text{ KHz}$		110		μV
V_d	Dropout Voltage	$I_O = 60\text{ mA}$		0.17		V
V_{Hic}	ON/OFF Control (pin 2)	Pin 3 to GND OFF	0		0.5	V
		Pin 3 to GND ON	2.4		V_{in}	
V_{Lic}	ON/OFF Control (pin 3)	Pin 2 to V_{in} OFF	$V_{in}-0.2$		V_{in}	V
		Pin 2 to V_{in} ON	0		$V_{in}-2.4$	
C_O	Output Bypass Capacitance	$\text{ESR} = 0.5\text{ to }10\ \Omega$, $I_O = 0\text{ to }100\text{ mA}$	2	10		μF

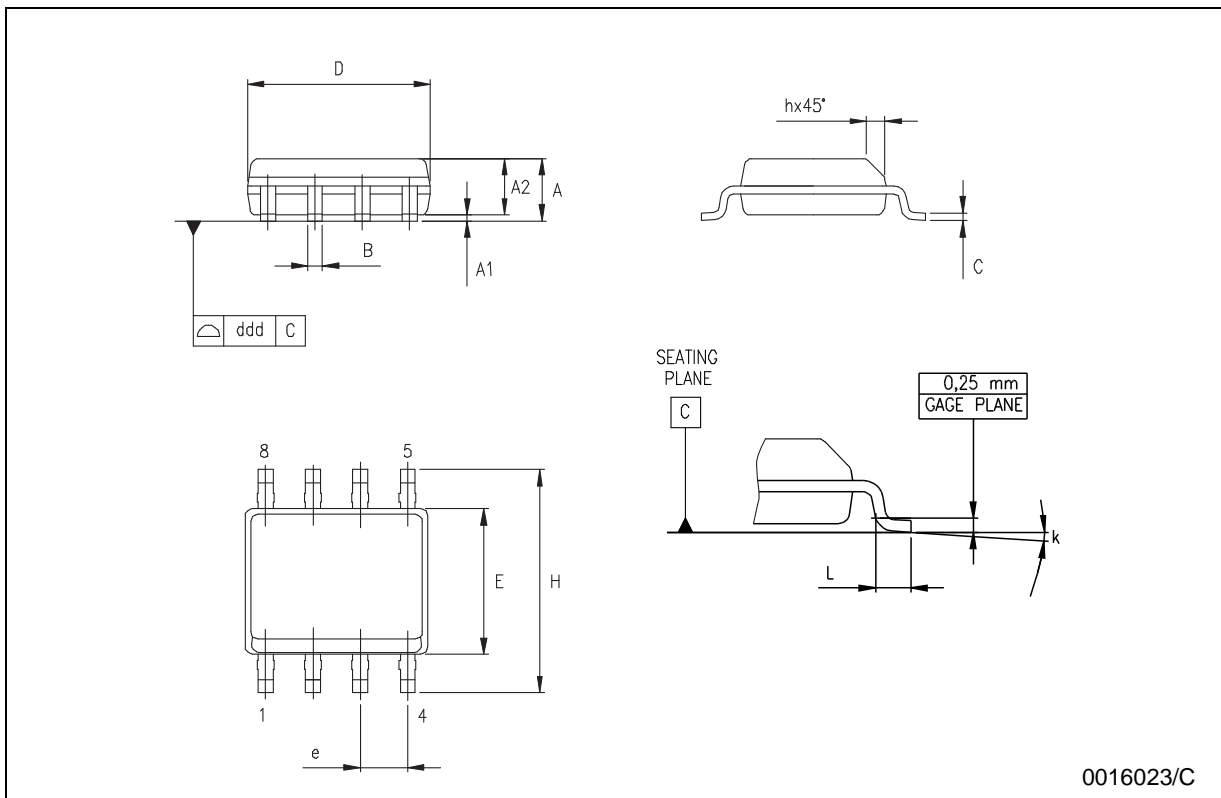
LK115D00 SERIES

ELECTRICAL CHARACTERISTICS FOR LK115D55 (refer to the test circuits, $T_J = 25^\circ\text{C}$, $C_I = 0.1\mu\text{F}$, $C_O = 2.2\mu\text{F}$ unless otherwise specified)

Symbol	Parameter	Test Conditions	Min.	Typ.	Max.	Unit
V_O	Output Voltage	$I_O = 10\text{ mA}$, $V_I = 7.5\text{ V}$	5.335	5.5	5.665	V
		$I_O = 10\text{ mA}$, $V_I = 7.5\text{ V}$, $T_a = -40\text{ to }125^\circ\text{C}$	5.225		5.775	
V_I	Operating Input Voltage	$I_O = 100\text{ mA}$			20	V
I_{out}	Output Current Limit		120	200		mA
ΔV_O	Line Regulation	$V_I = 6.5\text{ to }20\text{ V}$ $I_O = 0.5\text{ mA}$		3	15	mV
ΔV_O	Load Regulation	$V_I = 6.5\text{ V}$ $I_O = 0.5\text{ to }100\text{ mA}$		4	20	mV
I_d	Quiescent Current (On Mode)	$V_I = 6.5\text{ to }20\text{ V}$ $I_O = 0$		0.28	0.5	mA
		$V_I = 6.5\text{ to }20\text{ V}$ $I_O = 100\text{ mA}$		1.5	3	
	(Off Mode)	$V_I = 6.5\text{ to }20\text{ V}$		0.01	2	μA
SVR	Supply Voltage Rejection	$I_O = 5\text{ mA}$ $V_I = 7.5\text{ V} \pm 1\text{ V}$	$f = 120\text{ Hz}$		74	dB
			$f = 1\text{ KHz}$		69	
			$f = 10\text{ KHz}$		55	
eN	Output Noise Voltage (RMS)	$B = 10\text{ Hz to }100\text{ KHz}$		121		μV
V_d	Dropout Voltage	$I_O = 60\text{ mA}$		0.17		V
V_{Hlc}	ON/OFF Control (pin 2)	Pin 3 to GND OFF	0		0.5	V
		Pin 3 to GND ON	2.4		V_{in}	
V_{Llc}	ON/OFF Control (pin 3)	Pin 2 to V_{in} OFF	$V_{in}-0.2$		V_{in}	V
		Pin 2 to V_{in} ON	0		$V_{in}-2.4$	
C_O	Output Bypass Capacitance	$\text{ESR} = 0.5\text{ to }10\ \Omega$, $I_O = 0\text{ to }100\text{ mA}$	2	10		μF

SO-8 MECHANICAL DATA

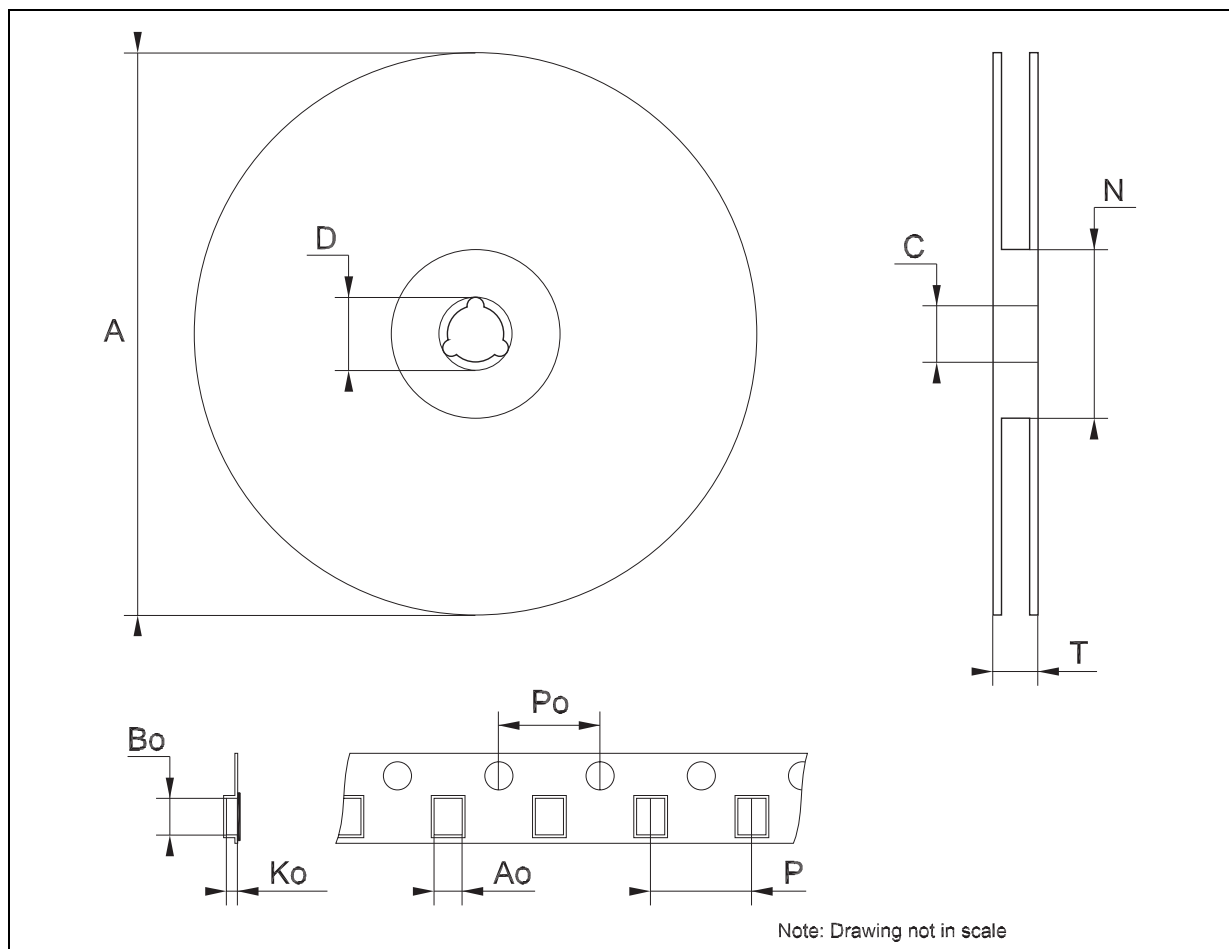
DIM.	mm.			inch		
	MIN.	TYP.	MAX.	MIN.	TYP.	MAX.
A	1.35		1.75	0.053		0.069
A1	0.10		0.25	0.04		0.010
A2	1.10		1.65	0.043		0.065
B	0.33		0.51	0.013		0.020
C	0.19		0.25	0.007		0.010
D	4.80		5.00	0.189		0.197
E	3.80		4.00	0.150		0.157
e		1.27			0.050	
H	5.80		6.20	0.228		0.244
h	0.25		0.50	0.010		0.020
L	0.40		1.27	0.016		0.050
k	8° (max.)					
ddd			0.1			0.04



0016023/C

Tape & Reel SO-8 MECHANICAL DATA

DIM.	mm.			inch		
	MIN.	TYP	MAX.	MIN.	TYP.	MAX.
A			330			12.992
C	12.8		13.2	0.504		0.519
D	20.2			0.795		
N	60			2.362		
T			22.4			0.882
Ao	8.1		8.5	0.319		0.335
Bo	5.5		5.9	0.216		0.232
Ko	2.1		2.3	0.082		0.090
Po	3.9		4.1	0.153		0.161
P	7.9		8.1	0.311		0.319



Information furnished is believed to be accurate and reliable. However, STMicroelectronics assumes no responsibility for the consequences of use of such information nor for any infringement of patents or other rights of third parties which may result from its use. No license is granted by implication or otherwise under any patent or patent rights of STMicroelectronics. Specifications mentioned in this publication are subject to change without notice. This publication supersedes and replaces all information previously supplied. STMicroelectronics products are not authorized for use as critical components in life support devices or systems without express written approval of STMicroelectronics.

© The ST logo is a registered trademark of STMicroelectronics

© 2003 STMicroelectronics - Printed in Italy - All Rights Reserved
STMicroelectronics GROUP OF COMPANIES

Australia - Brazil - Canada - China - Finland - France - Germany - Hong Kong - India - Israel - Italy - Japan - Malaysia - Malta - Morocco
Singapore - Spain - Sweden - Switzerland - United Kingdom - United States.

© <http://www.st.com>

